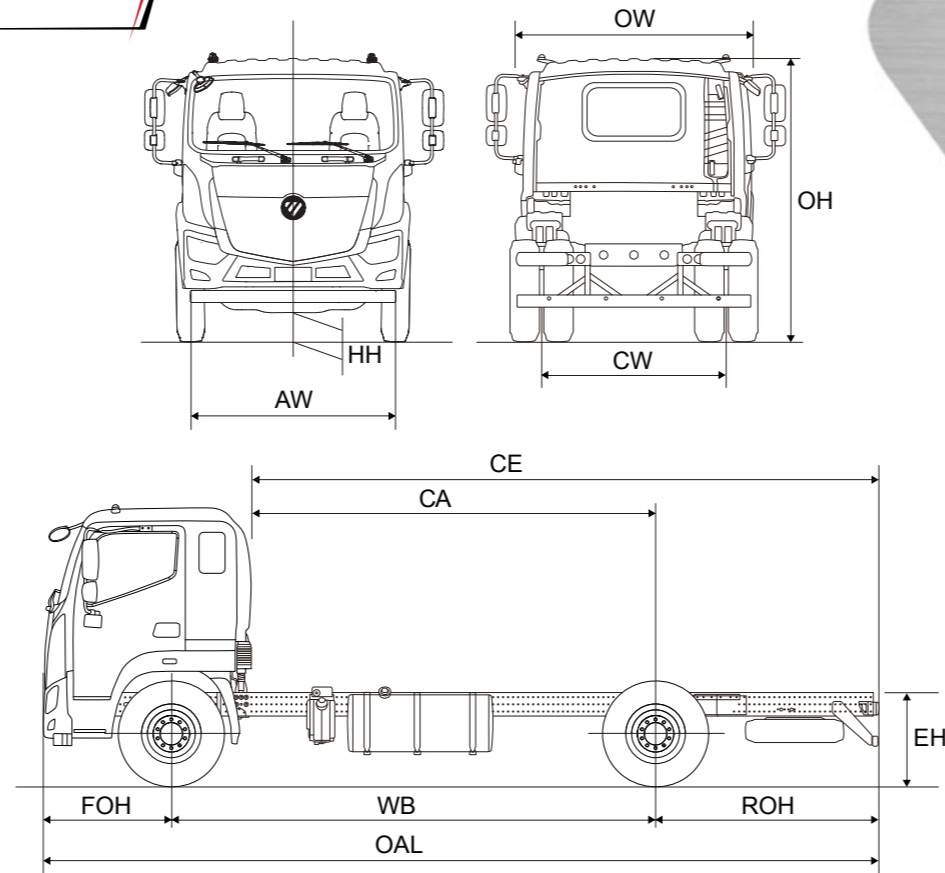


PARAMETER LIST

Vehicle model		BJ1226VMPHD-F	BJ1186VLPHG-1	BJ1186VLPHK-F2	BJ1226VMPHN-F2	
Whole chassis main dimensions	Chassis dimensions (LxWxH) mm	7340 x 2468 x 2780	8720 x 2500 x 2940	8900 x 2465 x 2810	10695 x 2487 x 2790	
	Internal dimensions of cargo box (LxWxH) mm	5500	6300	6800	8600	
	Wheelbase (mm)	4200	4800	5150	6100	
Chassis mass	GVW (t)	19.5	18.5	18	19.5	
	Curb weight (t)	5.345	6.605	5.31	5.6	
basic configuration	Power chain	Engine Model	Cummins ISDe245 30 EuroIII	Cummins ISDe245 30 EuroIII	Cummins ISD270 50 EuroV	Cummins ISD270 50 EuroV
		Max power (ps/hp/rpm)	180 / 245	180 / 245	198 / 269	198 / 269
		Max torque (Nm/rpm)	950	950	970	970
		Displacement (L)	6.7 L	6.7 L	6.7 L	6.7 L
		Clutch	ø430 x ø240	ø430 x ø240	430ø	430ø
		Gearbox	FAST 8MT 8JS105TA + PTO	FAST 8MT 8JS105TA	FAST 8MT 8JS118TA-B	FAST 8MT 8JS118TA-B
		Front axle	6.5 T Drum	6.5 T Drum	6.0 T Drum	6.5 T Drum
	Rear axle	13.0T / 5.571 Drum	12.0T / 5.571 Drum	12.0T / 4.556 or 4.875 Drum	13.0T / 5.143 or 4.875 Drum	
	Body and electrical appliances	cab	M4-2200	M4-2200	M4-2200	M4-2200
		Cab lift	Manual	Manual	Electric	Manual
		Driver's seat	Airbag	Airbag	Airbag	Airbag
		rearview mirror	Manual	Manual	Manual	Manual
		Doors and windows	electric	electric	electric	electric
		Central lock	Central lock	Central lock	Central lock	Central lock
		Air conditioning	Manual air conditioner	Manual air conditioner	Manual air conditioner	Manual air conditioner
	Chassis	Frame (mm)	250 x 75 x (6+4)	250 x 75 x (6+4)	940/865-250x65/75x (6+4)	940/865-250x65/75x (6+4)
		Front suspension/leaf spring number	Longitudinal leaf spring + cylindrical shock absorber + stabilizer bar, 10	Longitudinal leaf spring + cylindrical shock absorber + stabilizer bar, 10	Non-independent suspension with spring, 10	Non-independent suspension with spring, 10
		Rear suspension/leaf spring number	Longitudinal leaf spring + cylindrical shock absorber + stabilizer bar, 10+8	Longitudinal leaf spring + cylindrical shock absorber + stabilizer bar, 10+8	Non-independent suspension with spring, 10+8	Non-independent suspension with spring, 10+8
		Steering engine	Recirculating ball type ø100	Recirculating ball type ø100	Hydraulic power assist	Hydraulic power assist
		Tire	10.00R20	10.00R20	295/80R22.5 or 275/80R22.5 or 11R22.5 or 10.00R20	295/80R22.5 or 275/80R22.5 or 11R22.5 or 10.00R20
Fuel tank volume/material		200L Aluminum	200L Aluminum	Aluminum 260L	Aluminum 260L	
ABS		○	○	●	●	
Remark: ● Availabel ○ Option						

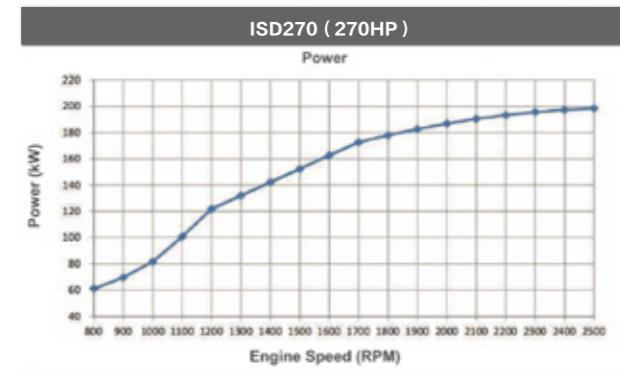
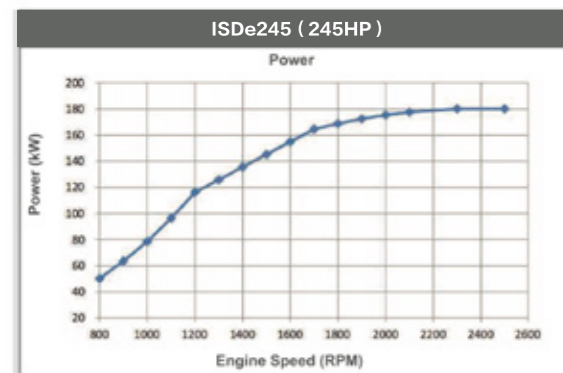
MASS & DIMENSION



© MORE BODY APPLICATIONS



GVW (KG)	Model	WB	OAL	OW	OH	AW	CW	FOH	ROH	CA	CE	HH	EH
19500	BJ1226VMPHD-F	4200	7340	2468	2780	1960	1860	1270	1870	3390	5220	230	1100
18500	BJ1186VLPHG-1	4800	8720	2500	2940	1960	1860	1270	2650	4030	6400	210	1050
18000	BJ1186VLPHK-F2	5150	8900	2465	2810	1931	1840	1270	2480	4340	6720	230	1100
19500	BJ1226VMPHN-F2	6100	10695	2487	2790	2008	1860	1270	3325	5300	8580	210	1050



For more information, welcome to scanning the QR code to visit the official website and social media pages in Saudi Arabia.
 Petromin is the official exclusive distributor of Foton in Saudi Arabia
 Petromin-foton.com • Tel: 920022919 • Email: foton@petromin.com

